

# NELSON™ HEAT TRACING SYSTEMS SPECIFICATION / APPLICATION

## TA4X140 THERMOSTAT INSTALLATION

### DESCRIPTION



#### ENCLOSURE

Die Cast Aluminum

#### CLASSIFICATIONS

NEMA Type 4X IP66

#### TEMPERATURE RANGE

Range  
-9 to 60°C (15 to 140°F)

#### CAPILLARY

<b>Length</b>	<b>Material</b>	<b>Max. Bulb Temperature</b>
N/A	Stainless Steel	71°C (160°F)

#### ELECTRICAL DATA

<b>CSA Rating</b>	<b>UL Rating</b>
22 amp resistance 480 VAC	22 amp resistance 480 VAC

#### CALIBRATION ACCURACY

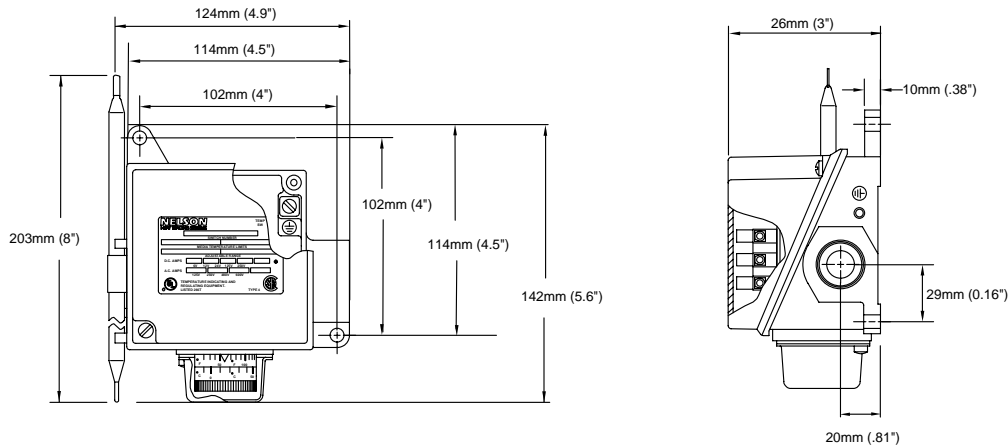
1.1°C (2°F)

#### SWITCH TYPE

Single Pole Double Throw

These thermostats are used for ambient temperature control in ordinary or corrosive locations.

### OUTLINE



#### Annual Maintenance:

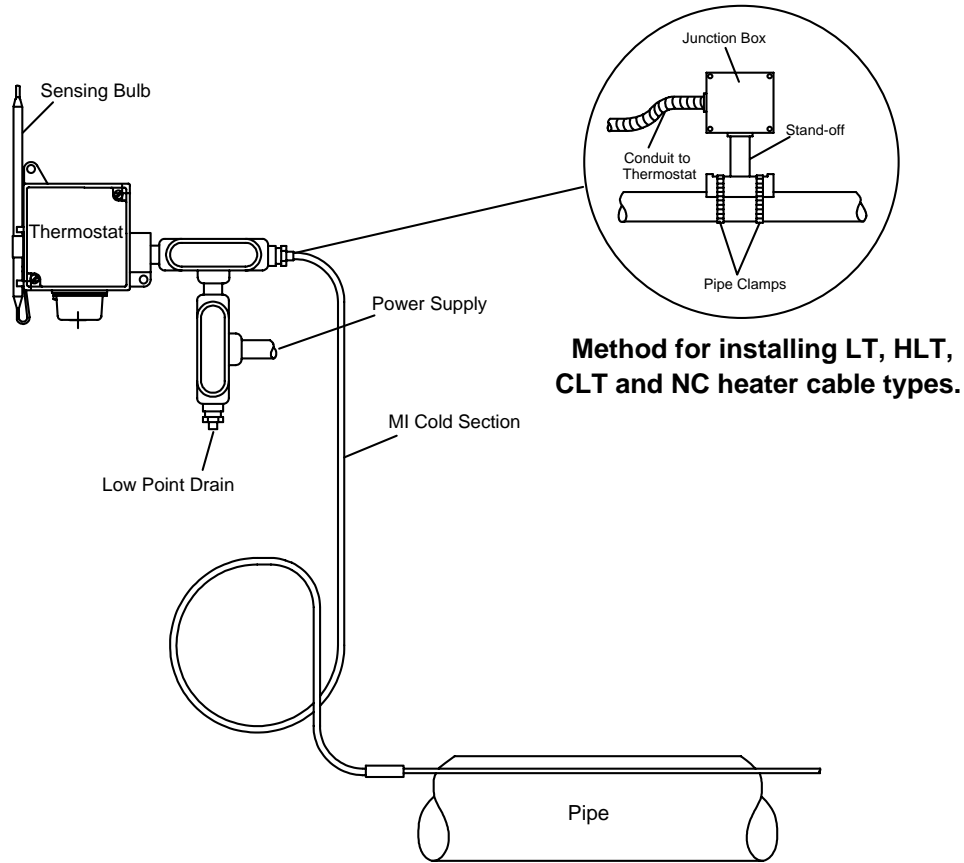
1. Remove Cover.
2. Lubricate dial stem and spray a coat of lubricant and rust preventative such as CRC Stor & Lube, electrical grade, on the thermostat body.
3. Replace Cover.

#### Approvals:

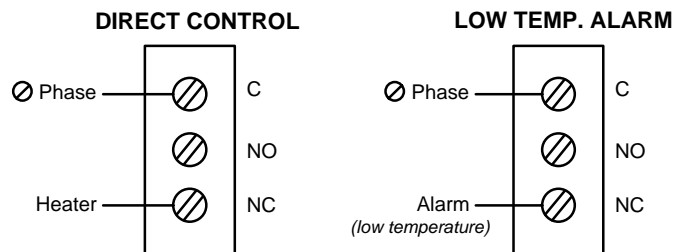
##### General Locations

UL - E89748    CSA - LR701949    CE

**INSTALLATION**



**WIRING DIAGRAM**



Nelson Heat Tracing Systems products are supplied with a limited warranty. Complete Terms and Conditions may be found on Nelson's website at [www.nelsonheaters.com](http://www.nelsonheaters.com).